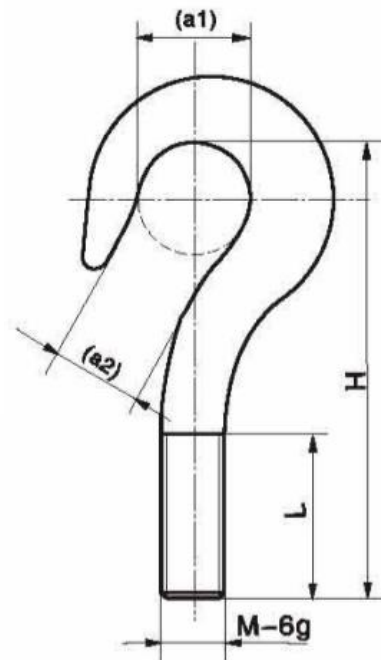


## Accessory

### HL-3-001

Capacity	Type
50kg, 100kg	HL-3-001-25/50kg
250kg	HL-3-001-200/300kg
500kg	HL-3-001-500/750kg
1t	HL-3 · 001 · 1/L5t
2.5t	HL-3-001-2/3t
5t	HL-3-001-5t

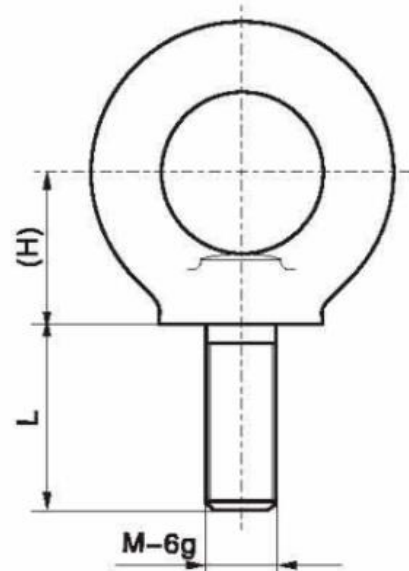
Capacity	a1	a2	H	MxPxL	Lifting capacity
50kg J 00kg	25(0.98)	20(0.791)	97.5(3.84)	M8x1.25x24	0.25t
250kg	28(1.10)	22(0.87)	106(4.17)	M12x1.75x28	0.4t
500kg	34(1.34)	27(1.06)	135.5(5.33)	M12x1.75x28	0.8t
1t	40(1.57)	32(1.26)	152.5(6.00)	M12x1.75x28	1.6t
2.5t	48(1.89)	38(1.50)	183(7.20)	M20x1.5x35	3.2t
5t	56(2.20)	45(1.77)	221(8.70)	M20x1.5x35	6.3t



## HL-3-002

Capacity	Type
25kg-100kg	HL-3-002-25/50kg
150kg-250kg	HL-3-002-200/300kg
500kg	HL-3-002-500/750kg
1t	HL-3-002-1/1.5t
2.5t	HL-3-002-2/3t
5t	HL-3-002-5t

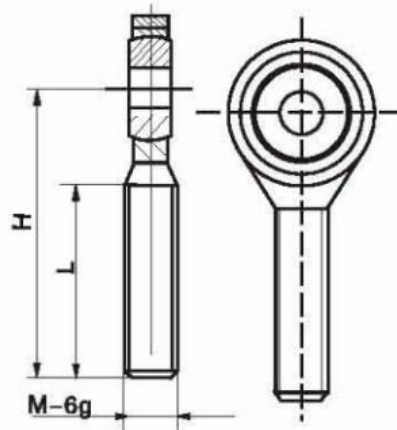
2.	H	D	d	MxPxL	Lifting capacity
25kg-100kg	18(0.71)	36 (1.42)	9.1 (0.36)	M8x1.25x16	0.16t
150kg-250kg	26(1.02)	52 (2.05)	13.1 (0.52)	M12x1.75x22	0.4t
500kg	31 (1.22)	62 (2.44)	15.2 (0.60)	M12x1.75x22	1.0t
1t	36(1.42)	72 (2.83)	17.4 (0.69)	M12x1.75x22	1.6t
2.5t	53 (2.09)	104 (4.09)	25.7 (1.01)	M20x1.5x35	4.0t
5t	63 (2.48)	123 (4.84)	30(1.18)	M20x1.5x35	6.3t



### HL-3-003

Capacity	Type
25kg-100kg	HL-3-003-25/50kg
150kg-1.0t	HL-3-003-200kg/1.0t
2.5t	HL-3-003-2/3t
5t	HL-3-003-5t

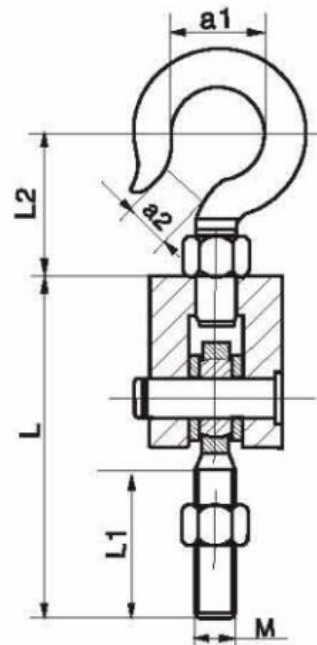
Capacity	H	A	B	C	D	H1	MxL	Lifting capacity
25kg-100kg	42 (1.65)	8 (0.31)	6.5 (0.26)	8 (0.31)	25 (0.98)	56 (2.20)	M8x 1.25x21	0.55t
150kg-1.0t	54 (2.13)	10 (0.39)	8.5 (0.33)	12 (0.47)	35 (1.38)	73 (2.87)	M12x1.75x28	1.08t
2.5t	78 (3.07)	16 (0.63)	13.5 (0.53)	20 (0.79)	R4 (2.13)	107 (4.21)	M20x 1.5x43	3.0t
5t	89 (3.5)	22 (0.87)	20 (0.79)	30 (1.18)	75 (2.95)	128 (5.04)	M20x1.5x43	6.0t



### HL-3-004

Capacity	Type
25kg-100kg	HL-3-004-25/50kg
150kg-250kg	HL-3-004-200/300kg
500kg	HL-3-004-500/750kg
1t	HL-3-004-1t
2.5t	HL-3-004-2/3t
5t	HL-3-004-5t

Capacity	a1	a2	L	L1	L2	MxP	Lifting capacity
25kg-100kg	25 (0.98)	20 (0.79)	77 (3.03)	21 (0.83)	65 (2.56)	M8x1.25	0.25t
150kg-250kg	28(1.10)	22 (0.87)	89 (3.50)	28(1.10)	77 (3.03)	M12x1.75	0.4t
500kg	34 (1.34)	27 (1.06)	89 (3.50)	28 (1.10)	103.5 (4.07)	M12x1.75	0.8t
1t	40(1.57)	32 (1.26)	89 (3.50)	28 (1.10)	117.5 (4.63)	M12x1.75	1.08t
2.5t	48(1.89)	38 (1.5)	133 (5.24)	43 (1.69)	134 (5.28)	M20x1.5	3.0t
5t	56 (2.20)	45(1.77)	149(5.87)	43(1.69)	173 (6.81)	M20x1.5	6.0t



## HL-3-005

Capacity	Type
25kg-100kg	HL-3-005-25/50kg
150kg-250kg	HL-3-005-200/300kg
500kg	HL-3-005-500/750kg
1t	HL-3-005-1t
2.5t	HL-3-005-2/3t
5t	HL-3-005-5t

Capacity	L	L1	L2	MxP	Lifting capacity
25kg-100kg	77 (3.03)	21 (0.83)	22(0.87)	M8x1.25	0.16t
150kg-250kg	89(3.50)	28(1.10)	33(1.3)	M12x1.75	0.4t
500kg	89(3.50)	28(1.10)	38(1.5)	M12x1.75	1.0t
1t	89(3.50)	28(1.10)	43(1.7)	M12x1.75	1.08t
2.5t	133 (5.24)	43(1.69)	63(2.48)	M20x1.5	3.0t
5t	149(5.87)	43(1.69)	78(3.07)	M20x1.5	6.0t

