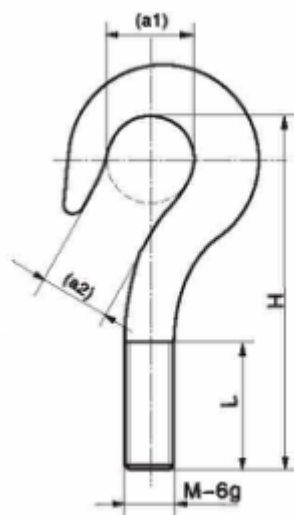


## Accessory

### HL-3-001

Capacity	Type
50kg-100kg	HL-3-001-100/150kg
250kg	HL-3-001-200/300kg
500kg-750kg	HL-3-001-500/750kg
1t-1.5t	HL-3-001-1/1.5t

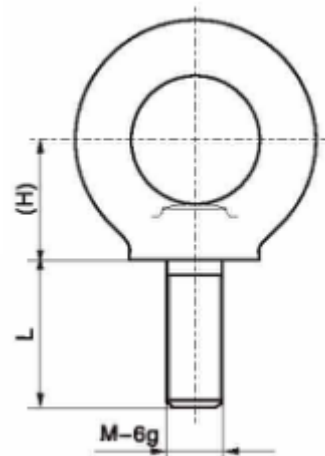
Capacity	a1	a2	H	MxPxL	Lifting weight
50kg-100kg	25 (0.98)	20 (0.79)	97.5 (3.84)	M10x1.5x26	0.25t
250kg	28 (0.98)	22 (0.87)	106 (4.17)	M12x1.75x28	0.4t
500kg-750kg	34(1.34)	27 (1.06)	135.5(5.33)	M12x1.75x28	0.8t
1t-1.5t	40 (1.57)	32 (1.26)	152.5 (6.0)	M12x1.75x28	L6t



## HL-3-002

Capacity	Type
50kg-100kg	HL-3-002-100/150kg
250kg	HL-3-002-200/300kg
500kg-750kg	HL-3-002-500/750kg
1t-1.5t	HL-3—002-1/1.5t

Capacity	H	A	B	C	D	H1	M x Px L	Lifting weight
50kg-100kg	48 (1.89)	9 (0.35)	7.5 (0.30)	10 (0.39)	30 (1.18)	65 (2.56)	M10x1.5x26	0.81t
250kg-1.0t	54 (2.13)	10 (0.39)	8.5 (0.33)	12 (0.47)	35 (1.38)	73 (2.87)	M12x1.75x28	1.08t
1.5t	63 (2.48)	16 (0.63)	13.5 (0.53)	20 (0.79)	54 (2.13)	92 (3.62)	M12x1.75x28	3.0t



### HL-3-003

Capacity	Type
50kg-100kg	HL-3-003-100/150kg
250kg-1.0t	HL-3-003-200kg/1.0t
1.5t	HL-3-003-1.5t

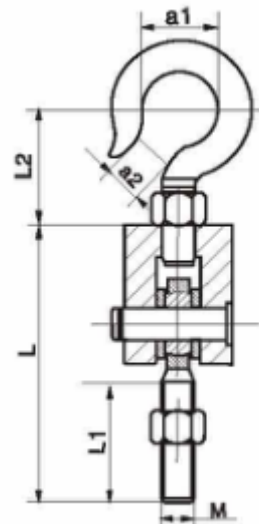
Capacity	H	A	B	C	D	H1	MxPxL	Lifting weight
50kg-100kg	48 (1.89)	9 (0.35)	7.5 (0.30)	10 (0.39)	30 (1.18)	65 (2.56)	M10x1.5x26	0.81t
250kg-1.0t	54 (2.13)	10 (0.39)	8.5 (0.33)	12 (0.47)	35 (1.38)	73 (2.87)	M12x1.75x28	1.08t
1.5t	63 (2.48)	16 (0.63)	13.5 (0.53)	20 (0.79)	54 (2.13)	92 (3.62)	M12x1.75x28	3.0t



## HL-3-004

Capacity	Type
50kg-100kg	HL-3-004-100/150kg
250kg	HL-3-004-200/300kg
500kg-750kg	HL-3-004-500/750kg
1t	HL-3-004-1t
1.5t	HL-3-004-1.5t

Capacity	a1	a2	L	L1	L2	MxP	Lifting weight
50kg-100kg	25 (0.98)	20 (0.79)	83 (3.27)	26(1.02)	64 (2.52)	M10x1.5	0.25t
250kg	28(L10)	22 (0.87)	89 (3.50)	28(1.10)	77 (3.03)	M12x1.7 5	0.4t
500kg-750kg	34(1.34)	27 (1.06)	89 (3.50)	28(1.10)	103.5(4.07 )	M12x1.7 5	0.8t
1t	40(1.57)	32(1.26)	89 (3.50)	28(1.10)	117.5(4.63 )	M12x1.7 5	1.08t
1.5t	40(1.57)	32 (1.26)	118 (4.65)	28(1.10)	110.5(4.35 )	M12x1.7 5	1.6t



## HL-3-005

Capacity	Type
50kg-100kg	HL-3-005-100/150kg
250kg	HL-3-005-200/300kg
500kg-750kg j	HL-3-005-500/750kg
1t	HL-3-005-1t
1.5t	HL-3-005-1.5t

Capacity	L	L1	L2	MxP	Lifting weight
50kg-100kg	83 (3.27)	26 (1.02)	27 (1.06)	M10x1.5	0.25t
250kg	89 (3.50)	28 (1.10)	33 (1.3)	M12x1.75	0.4t
500kg-750kg	89 (3.50)	28 (1.10)	38 (1.5)	M12x1.75	1.0t
1t	89 (3.50)	28 (1.10)	43 (1.7)	M12x1.75	1.08t
1.5t	118 (4.65)	28(1.10)	42(1.65)	M12x1.75	1.6t

