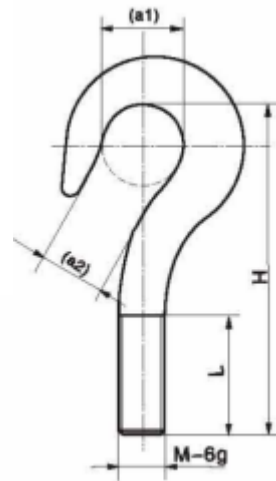


Accessory

HL-3-001

Capacity	Type
50kg-100kg	HL-3-001 25/50kg
200kg-300kg	HL-3-001 200/300kg
500kg	HL-3-001-500/750kg
1t	HL-3 - 001-1/1.5t
2.5t	HL-3-001 - 2/3t
5t	HL-3-001-5t

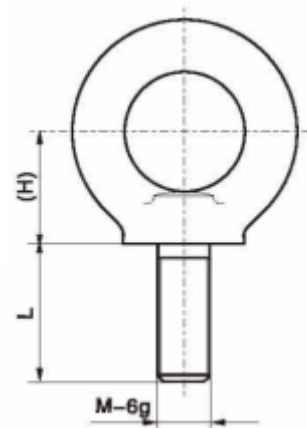
Capacity	a1	a2	H	M x Px L	Lifting capacity
50kg-100kg	25 (0.98)	20 (0.79)	97.5 (3.84)	M8x 1.25x24	0.25t
200kg-300kg	28 (0.98)	22 (0.87)	106 (4.17)	M12x1.75x28	0.4t
500kg	34(1.34)	27(1.06)	135.5(5.33)	M12x1.75x28	0.8t
1t	40(1.57)	32 (1.26)	152.5(6.0)	M12x1.75x28	1.6t
2.5t	48 (1.89)	38(1.5)	183 (7.2)	M20x1.5x35	3.2t
5t	56 (2.2)	45(1.77)	221 (8.7)	M20x 1.5x35	6.3t



**HI-3-002**

Capacity	Type
50kg 100kg	HL-3-002-25/50kg
200kg-300kg	HL-3-002-200/300kg
500kg	HL-3-002-500/750kg
1t	HL-3-002-1/1.5t
2.5t	HL-3-002-2/3t
5t	HL-3—002—5t

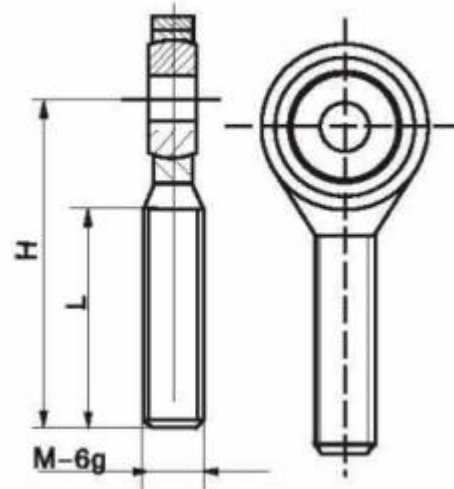
Capacity	H	D	d	MxPxL	Lifting capacity
50kg-100kg	18(0.71)	36(1.42)	9.1 (0.36)	M8x1.25x16	0.16t
200kg-300kg	26(1.02)	52(2.05)	13.1 (0.52)	M12x1.75x22	0.4t
500kg	31 (1.22)	62 (2.44)	15.2 (0.60)	M12x1.75x22	1.0t
1t	36(1.42)	72 (2.83)	17.4 (0.69)	M12x1.75x22	1.6t
2.5t	53 (2.09)	104(4.09)	25.7(1.01)	M20x1.5x35	4.0t
5t	63 (2.48)	123 (4.84)	30(1.18)	M20x1.5x35	6.3t



### HL-3-003

Capacity	Type
50kg-100kg	HL 3 003-25/50kg
200kg-1.0t	HL-3-003-200kg/1.0t
2.5t	HL-3-003-2/3t
5t	HL-3-003-5t

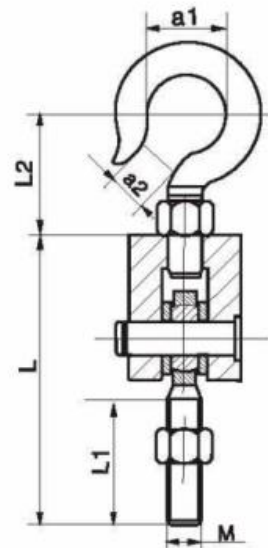
Capacity	H	A	B	C	D	H1	M x Px L	Lifting capacity
50kg-100kg	42 (1.65)	8 (0.31)	6.5 (0.26)	8 (0.31)	25 (0.98)	56 (2.20)	M8x 1.25x21	0.55t
200kg-1.0t	54 (2.13)	10 (0.39)	8.5 (0.33)	12 (0.47)	35 (1.38)	73 (2.87)	M12x1.75x28	1.08t
2.5t	78 (3.07)	16 (0.63)	13.5 (0.53)	20 (0.79)	54 (2.13)	107 (4.21)	M20x 1.5x43	3.0t
5t	89 (3.5)	22 (0.87)	20 (0.79)	30 (1.18)	75 (2.95)	128 (5.04)	M20x 1.5x43	6.0t



### HL-3-004

Capacity	Type
50kg-100kg	HL-3-004-25/50kg
200kg-300kg	HL-3-004-200/300kg
500kg	HL-3-004-500kg
1t	HL-3-004-1t
2.5t	HL-3-004-2/3t
5t	HL-3-004-5t

Capacity	a1	a2	L	L1	L2	MxP	Lifting capacity
50kg-100kg	25 (0.98)	20 (0.79)	77 (3.03)	21 (0.83)	65 (2.56)	M8x1.25	0.25t
200kg-300kg	28 (1.10)	22 (0.87)	89 (3.50)	28 (1.10)	77 (3.03)	M12x1.75	0.4t
500kg	34 (1.34)	27 (1.06)	89 (3.50)	28 (1.10)	103.5 (4.07)	M12x1.75	0.8t
1t	40 (1.57)	32 (1.26)	89 (3.50)	28 (1.10)	117.5 (4.63)	M12x1.75	1.08t
2.5t	48 (1.89)	38 (1.5)	133 (5.24)	43 (1.69)	134 (5.28)	M20x 1.5	3.0t
5t	56 (2.20)	45 (1.77)	149 (5.87)	43 (1.69)	173 (6.81)	M20x 1.5	6.0t



### HL-3-005

Capacity	Type
50kg-100kg	HL-3-005-25/50kg
200kg-300kg	HL-3-005-200/300kg
500kg	HL-3-005-500/750kg
1t	HL-3-005-1t
2.5t	HL-3-005-2/3t
5t	HL-3-005-5t

Capacity	L	L1	L2	MxP	Lifting capacity
50kg-100kg	77 (3.03)	21 (0.83)	22 (0.87)	M8x1.25	0.16t
200kg-300kg	89 (3.50)	28 (1.10)	33(1.3)	M12x1.75	0.4t
500kg	89 (3.50)	28(1.10)	38 (1.5)	M12x1.75	1.0t
1t	89 (3.50)	28(1.10)	43 (1.7)	M12x1.75	1.08t
2.5t	133 (5.24)	43 (1.69)	63 (2.48)	M20x1.5	3.0t
5t	149 (5.87)	43(1.69)	78 (3.07)	M20x1.5	6.0t

